

PHANTOM

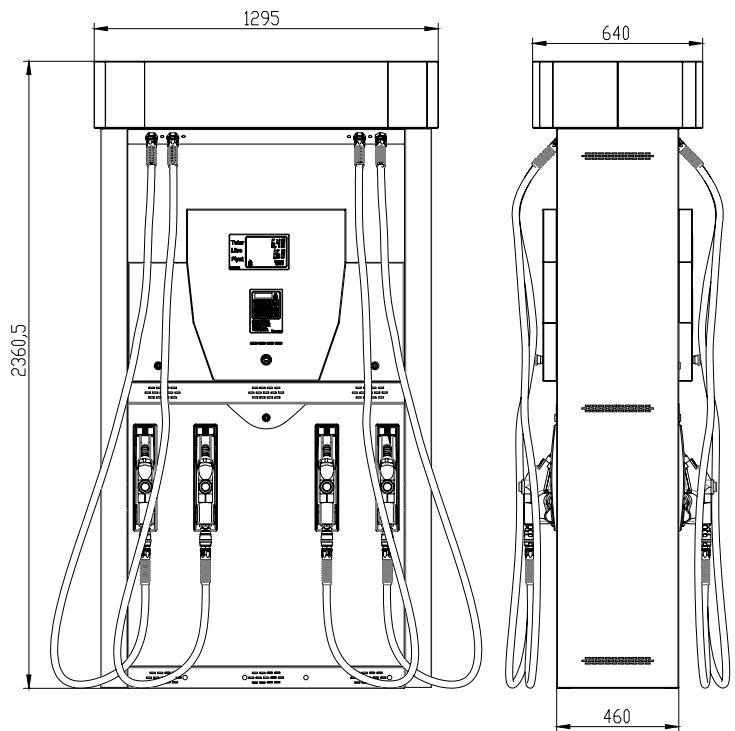




“The future has its traditions, too...”

We can imagine how many similar designs you have seen on the market. Many copies of the same thing everywhere... It's time for a change!

Combining the functionality of classic high-hose design with newly found elegant lines around the electronic cabin, the Phantom series will definitely bring fresh air and more customers to your site. Check the curvy keyboard which uses the same design language as the rest of the dispenser. It will be a pleasure for Mekser to provide you with attractive designs at a reasonable cost.



| FUNCTIONAL SPECIFICATIONS | | | | |
|---------------------------|--------------------|---------|---------|---------|
| Model | Type | Product | Nozzles | Filling |
| M1MPP | Suction / Pressure | 1 | 2 | 2 |
| M2MPP | Suction / Pressure | 2 | 2 | 2 |
| M4MPP | Suction / Pressure | 2 | 4 | 2 |
| M6MPP | Suction / Pressure | 3 | 6 | 2 |
| M8MPP | Suction / Pressure | 4 | 8 | 2 |

| OPIONAL SPECIFICATIONS | |
|------------------------------|-----------------------------|
| Multimedia | Day Light LCD Panel 19" LED |
| Electronic Unit Heat Element | 300 W. |
| Stainless Steel Columns | SS 304 - SS 316 |
| Vapour Recovery | Stage II |
| Combo | DEF, LPG |
| Z Swivel | 3/4", 1" |
| High Efficiency | 70, 120 lt /min |