

# FUNCTION



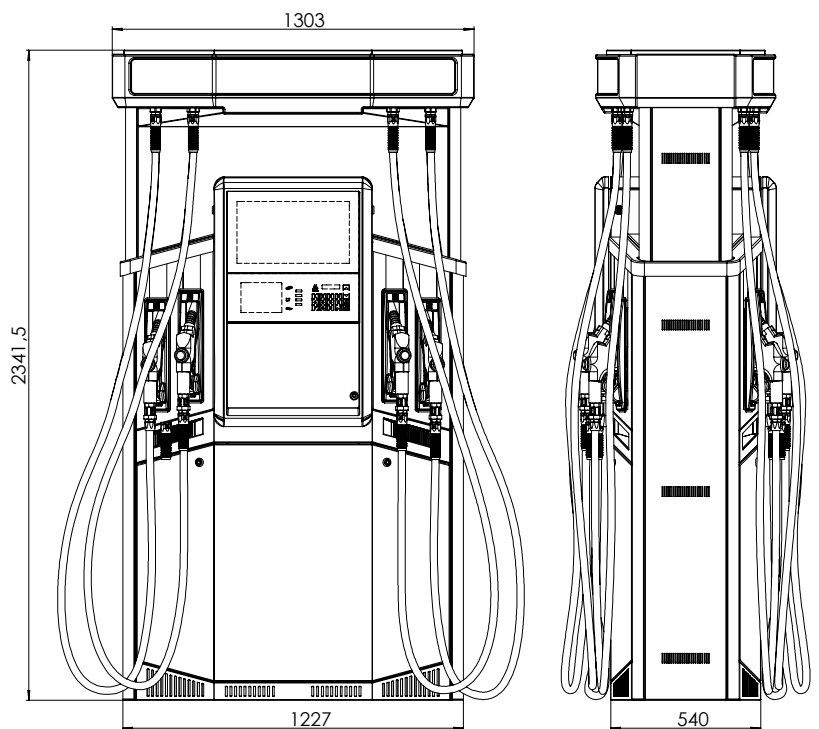


Functional  
Elegant  
Quality

MEKSER introduces a whole new product for those who seek the best, all equipped with functional details and modular structure.

FUNCTION series has a striking design with a special uniq composite control panel and lean lines starting with the keypad, ventilation panels and nozzle boots creating remarkable recognition. The VT technology sales display, which is more vibrant and brilliant in appearance, delivers impressive performance during day and night.

Function models are designed to make your station different and make it attractive for motorists.



FUNCTIONAL SPECIFICATIONS				
Model	Type	Product	Nozzles	Filling
M4MPP	Suction / Pressure	2	4	2
M6MPP	Suction / Pressure	3	6	2
M8MPP	Pressure	4	8	2

OPITONAL SPECIFICATIONS	
Multimedia	Day Light LCD Panel 19" LED
Electronic Unit Heat Element	300 W.
Stainless Steel Columns	SS 304 - SS 316
Vapour Recovery	Stage II
Combo	DEF, LPG
Z Swivel	3/4", 1"
High Efficiency	70, 120 lt / min